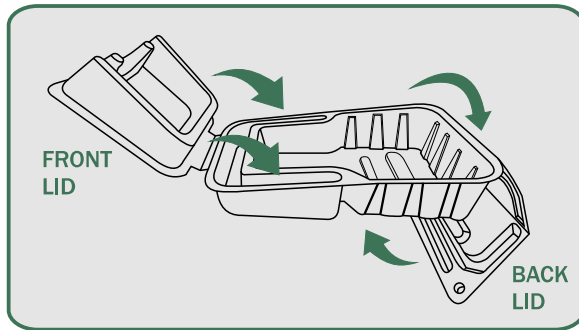
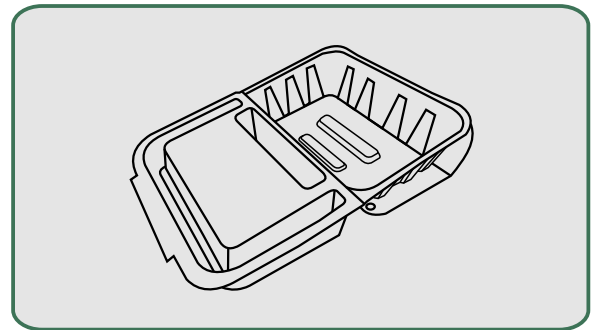


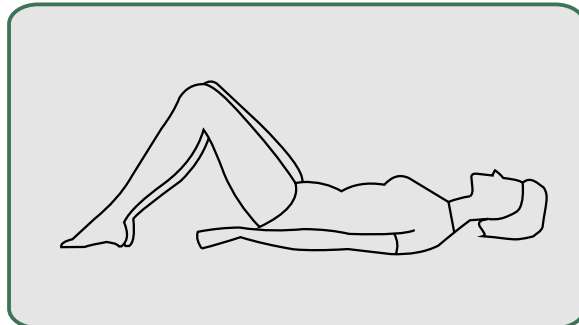
BioCommode



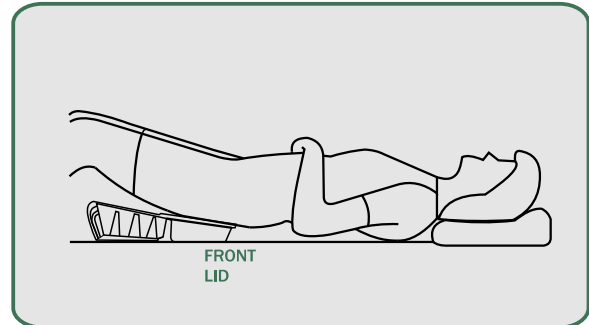
1 Fold the **BACK LID** down and insert the **FRONT LID** of the BioCommode in the slots. Verify that all parts are firmly embedded.



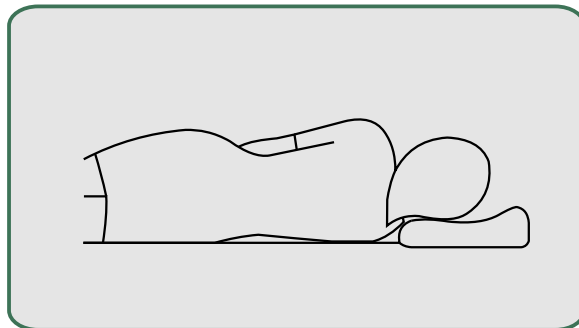
2 The BioCommode should look like this when it is ready for use.



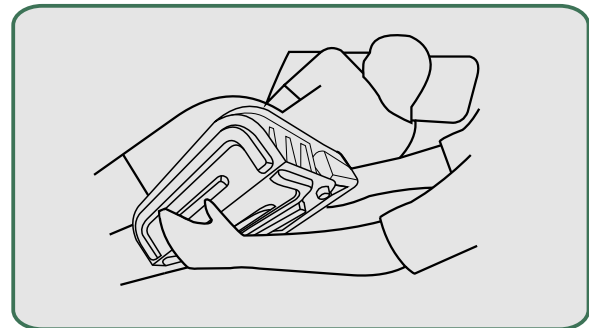
3 If the patient can move, request him to bend his knees and lift his hips.



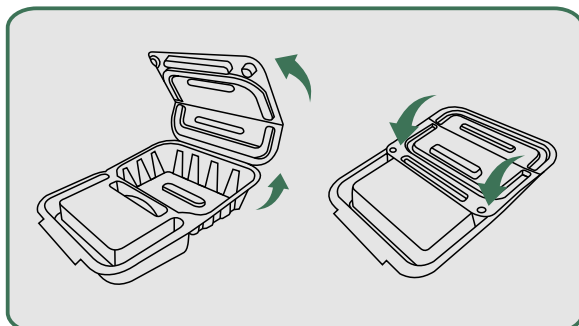
4 Slide the BioCommode under the patient. Patient's weight rests on the **FRONT LID** with his bottom hovering over the open side on the back.



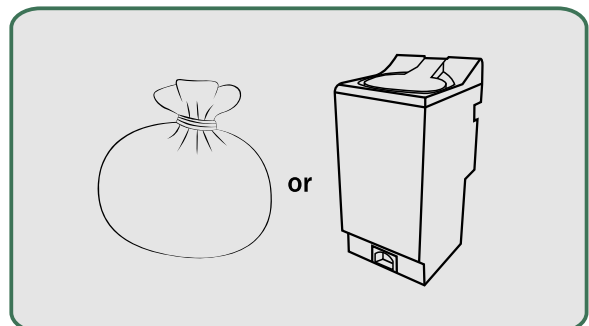
5 If the patient is unable to move, carefully turn him on his side.



6 Place the BioCommode on the patient's bottom with the **FRONT LID** supporting his weight. Carefully turn the patient on his back, while keeping the BioCommode in place.



7 When the patient has finished, flip the **BACK LID** to cover the contents. Secure the cover with gentle pressure where the lids meet.



8 No need to empty the contents. Place the BioCommode, including waste, into the proper medical Waste Bag or Macerator for disposal.